



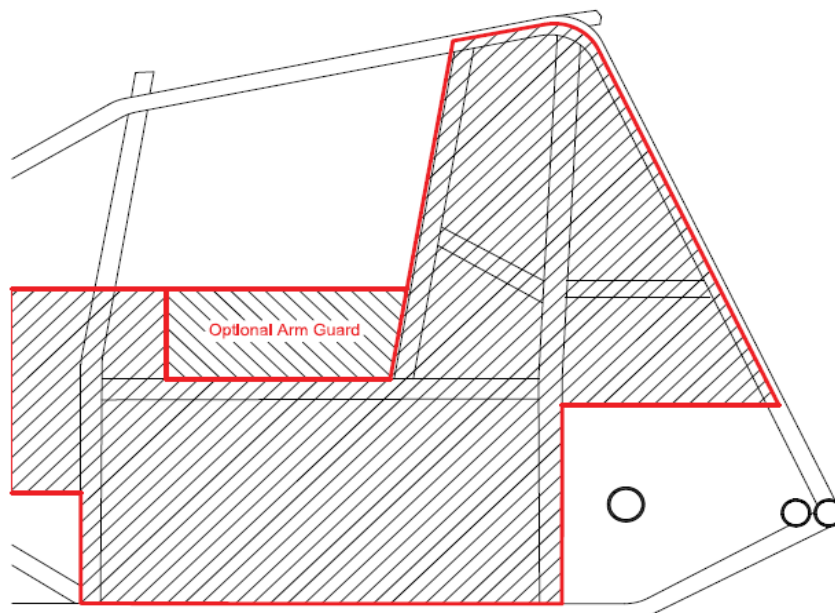
February 16, 2019

2019 Rules Bulletin #2 Body Side Panels

15.7.J Body Side Panel Openings

With the addition of the new roll cage support bars referenced in Section 15.5.U of the 2019 Sprint Series Rule Book the following adjustment to Section 15.7.J shall take effect immediately. **The right side minimum panel opening dimension of 21" x 10" (refer to drawing 16.7.J) shall stay in effect. The left side paneling may extend to but not forward of the support bar (refer to below drawing 16.7.K). The use of a left side arm guard as part of the paneling is acceptable as long as it or any other part of the paneling does not prevent left-side driver entry or exit at the discretion of Series Officials.**

Tom Devitt  
Technical Director  
WoO NOS Energy Drink  
Sprint Car Series  
[tdevitt@dirtcar.com](mailto:tdevitt@dirtcar.com)



Drawing 16.7.K  
by Tom Devitt